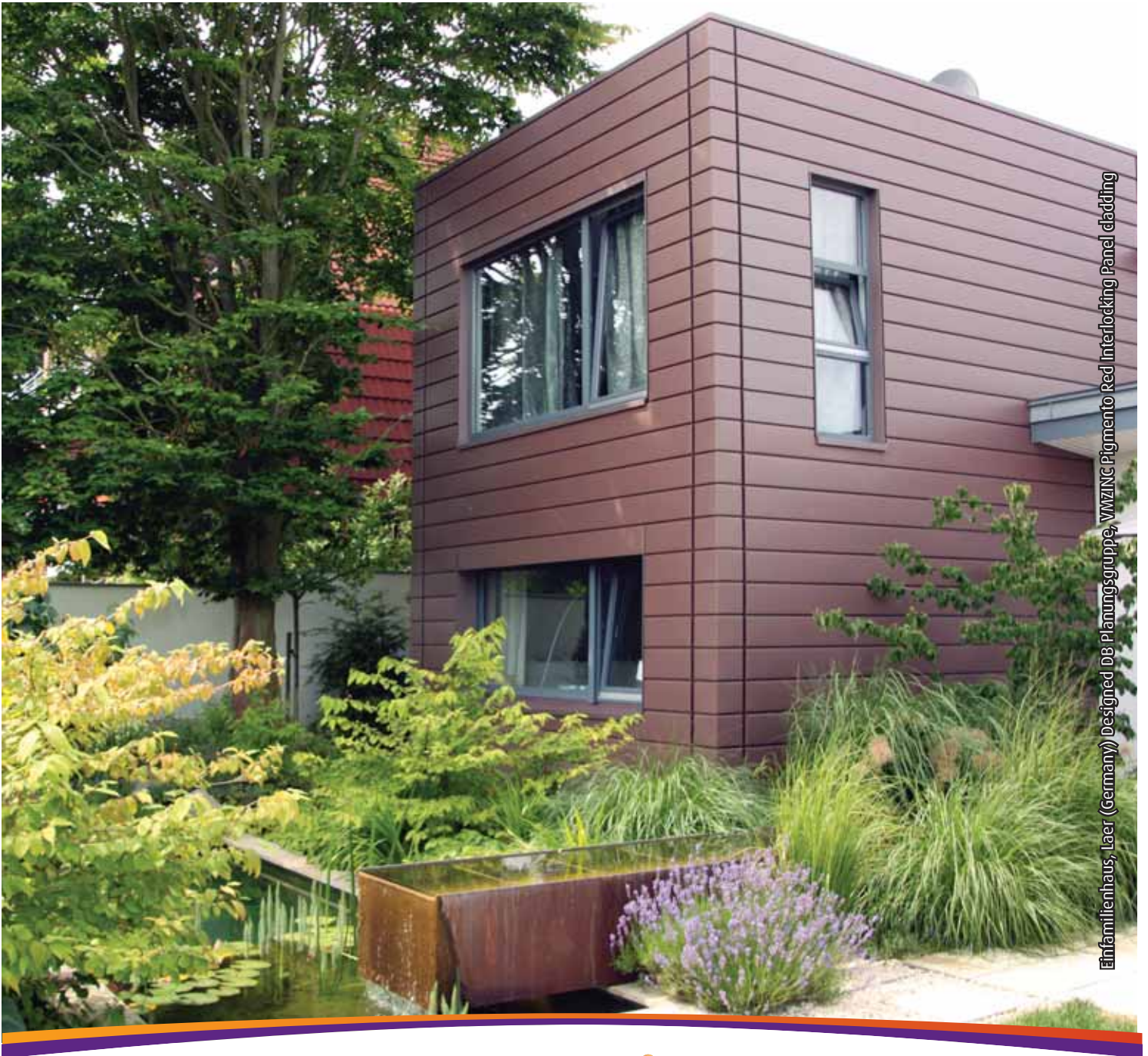


# VMZ Interlocking Panel

## Specification of details



Einfamilienhaus, Laer (Germany) Designed DB Planungsgruppe, VMZINC Pigmento Red Interlocking Panel cladding

# Technique information

Cladding technique	VMZ Interlocking Panel
Cladding material	<ul style="list-style-type: none"> <li>• Natural Mill Finish, and Azengar® engraved zinc</li> <li>• pre-weathered QUARTZ-ZINC®</li> <li>• pre-weathered ANTHRA-ZINC®</li> <li>• PIGMENTO® range available in 4 finishes: Autumn Red /Ash blue/Lichen Green/Brown</li> </ul>
Support	Galvanised steel or Aluminium top hat/furring channel to create ventilation gap at 600mm centres
Ventilation	20mm unobstructed cavity
Panel width	200, 250, 300mm centre to centre maximum
Panel length	4 metres maximum, 2 metres maximum for soffits
Panel depth	24mm
Joint width	10-15mm
Sheet thickness	1mm
Panel Weight	200mm width; 11.8kg/m <sup>2</sup> , 250mm width; 10.4kg/m <sup>2</sup> 300mm width; 9.85kg/m <sup>2</sup>

## Please note:

Main structure and insulation by others.



University of York, UK, Designed by BDP, Sheffield, VMZINC Pigmento Red, Pigmento Green and Quartz-zinc Interlocking Panel cladding



Private House, Ruen, France, Designed by Sarah Bigot, VMZINC Pigmento Red, Pigmento Green and Quartz-zinc Interlocking Panel cladding

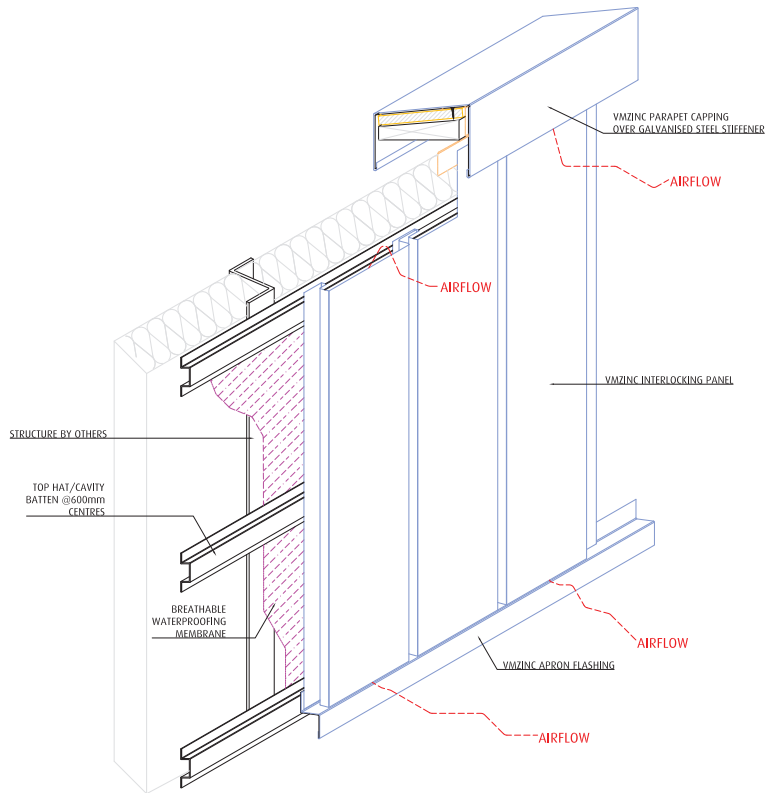
The sole objective of this document is to describe the main technical features of VMZINC® products manufactured by UMICORE. Specification and installation of these products remains the exclusive competency of building professionals who must ensure that the use of these products is adjusted to the construction in question and compatible with the other products and techniques used. Specification and installation of the products implies compliance with the current norms and recommendations of the manufacturer. In this respect, Umicore publishes specifications and installation guides that are regularly updated for specific geographical zones, and also organises training courses. All details may be obtained on request from the local VMZINC® team. Umicore may not be held responsible for any specification or use that does not comply with these norms, recommendations and practices.

# VMZINC

Phone: (02) 9358 6100  
[vmzinc.australia@umicore.com](mailto:vmzinc.australia@umicore.com)  
[www.vmzinc.com.au](http://www.vmzinc.com.au)  
[www.vmzinc.co.nz](http://www.vmzinc.co.nz)

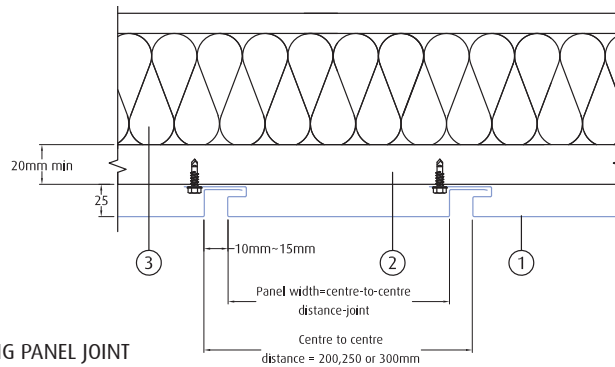
umicore 

# VMZ Interlocking Panel

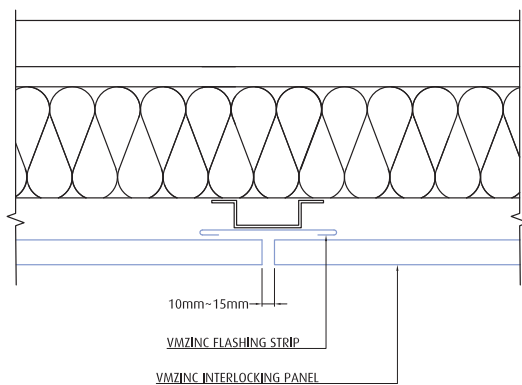


LEGEND:

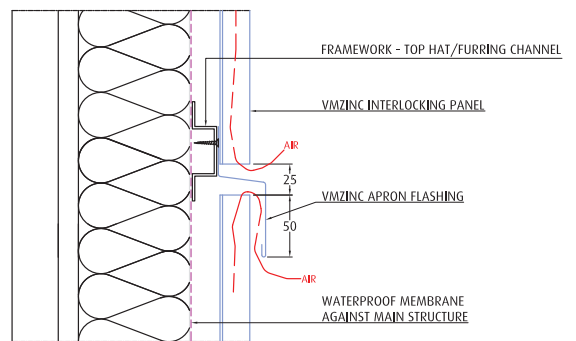
1. VM ZINC Interlocking Panel
2. Galvanised steel top hat
3. Main structure by others



INTERLOCKING PANEL JOINT

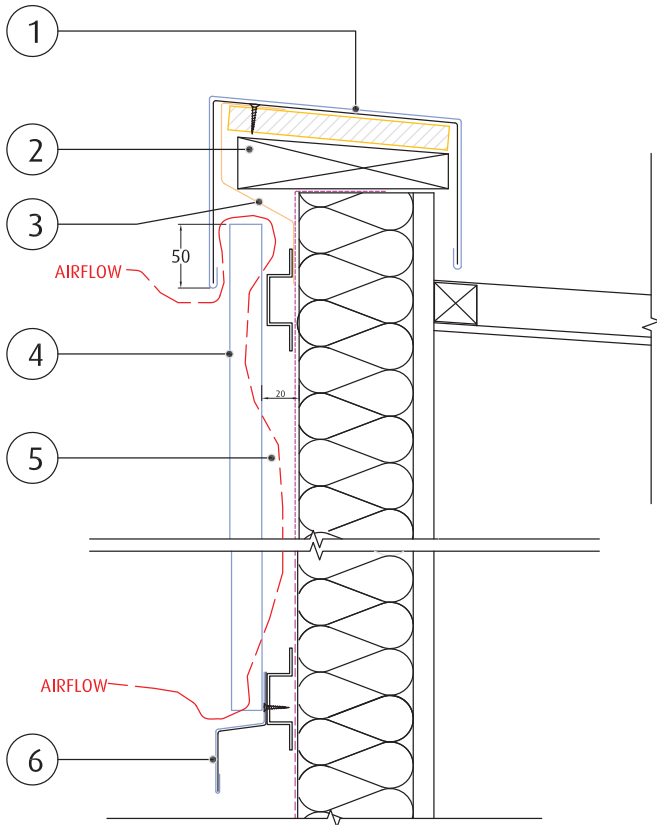


TRANSVERSAL JUNCTION FOR HORIZONTAL PANELS



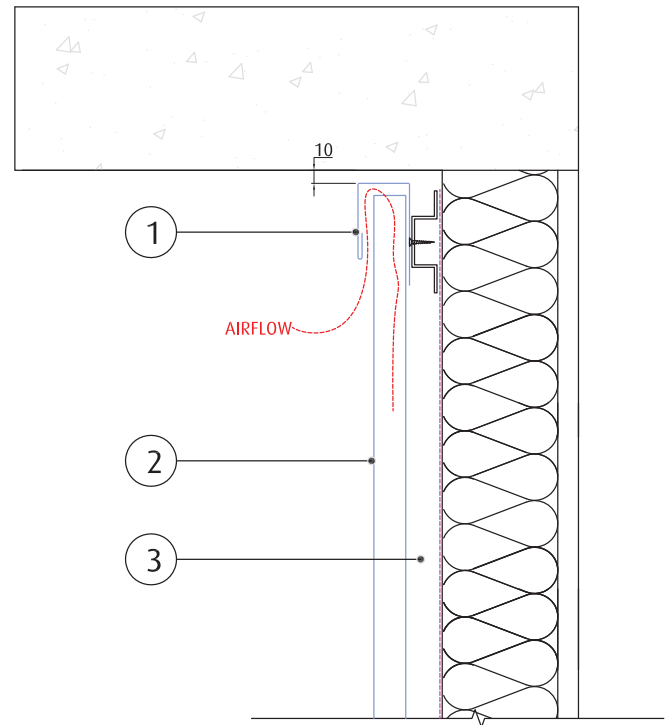
TRANSVERSAL JUNCTION FOR VERTICAL PANELS

# VMZ Interlocking Panel - Vertical



## Parapet & Bottom of wall

1. VM ZINC Parapet capping
2. Timber blocking
3. Insect screen
4. VM ZINC Interlocking Panel
5. 20mm ventilation cavity
6. VMZINC Apron flashing over galvanised steel stiffener

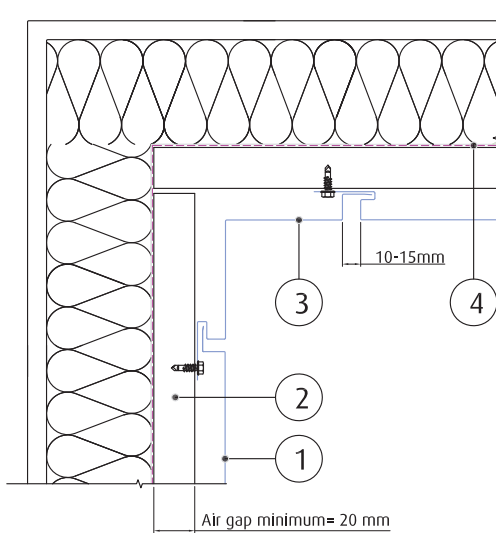


## Top of wall @ soffit

1. VM ZINC Top flashing
2. VMZINC Interlocking Panel
3. 20mm ventilation cavity

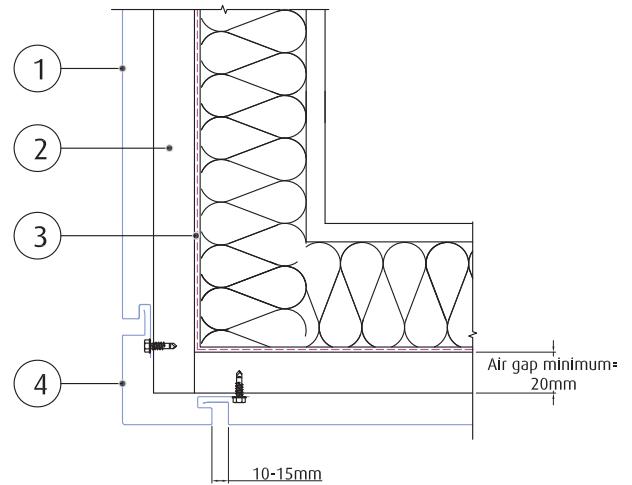
NOTE: MAIN STRUCTURE, INSULATION AND WATERPROOF MEMBRANE BY OTHERS

# VMZ Interlocking Panel - Vertical



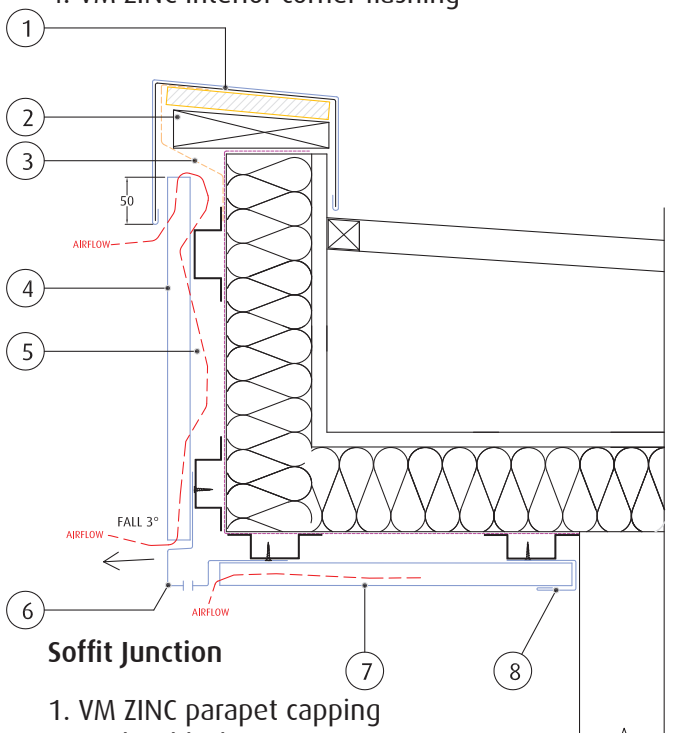
**Interior Corner**

1. VM ZINC Interlocking Panel
2. Interlocking Panel fixing clip
3. Galvanised steel top hat
4. VM ZINC Interior corner flashing



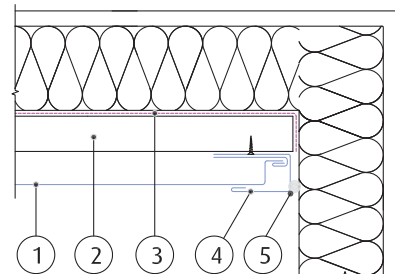
**Exterior Corner**

1. VM ZINC Interlocking Panel
2. Interlocking Panel fixing clip
3. VM ZINC Exterior Corner flashing



**Soffit Junction**

1. VM ZINC parapet capping
2. Timber blocking
3. Insect screen
4. VM ZINC Interlocking Panel
5. 20mm ventilation cavity
6. VMZINC soffit corner flashing
7. VMZINC Interlocking Panel soffit panel
8. VMZINC securing clip

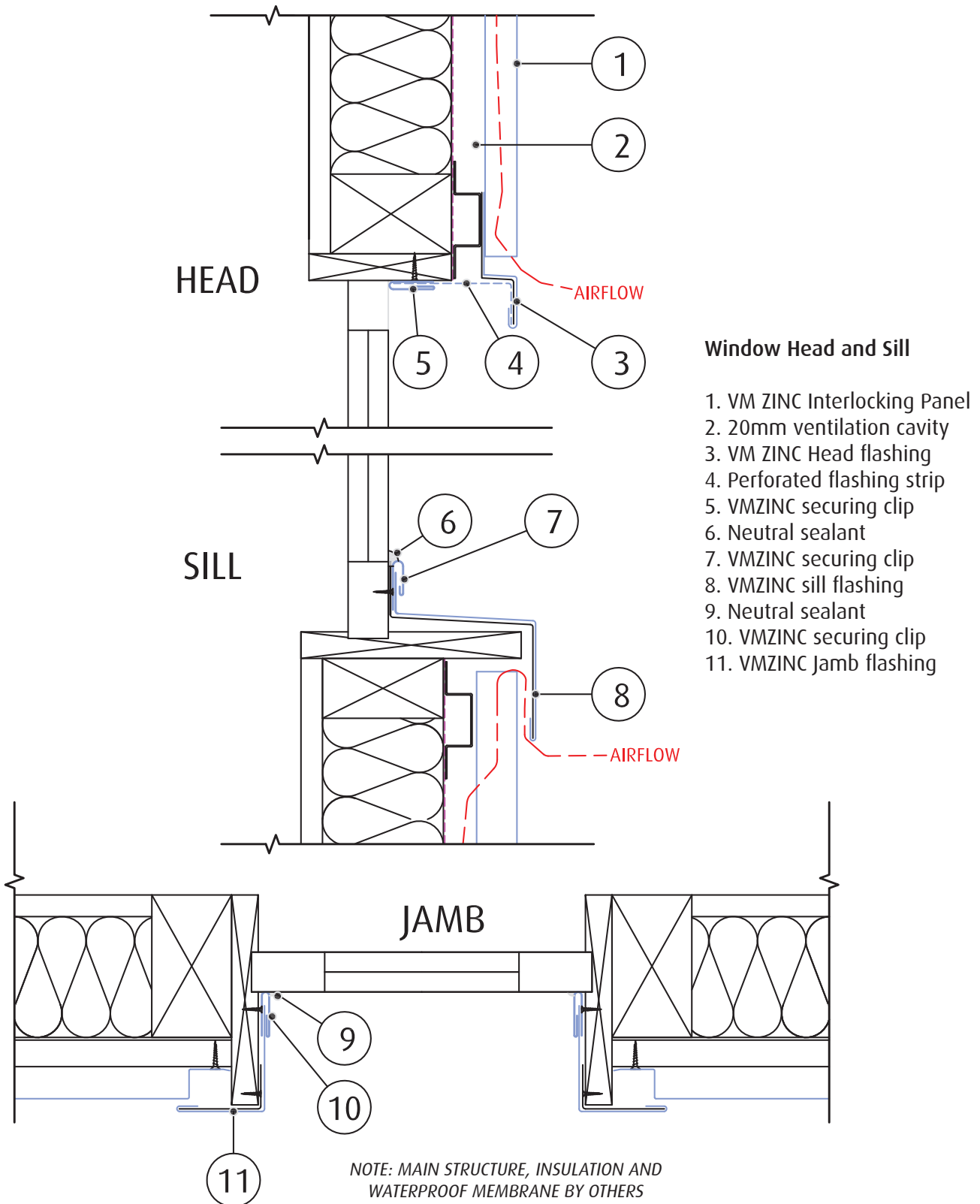


NOTE: MAIN STRUCTURE, INSULATION AND WATERPROOF MEMBRANE BY OTHERS

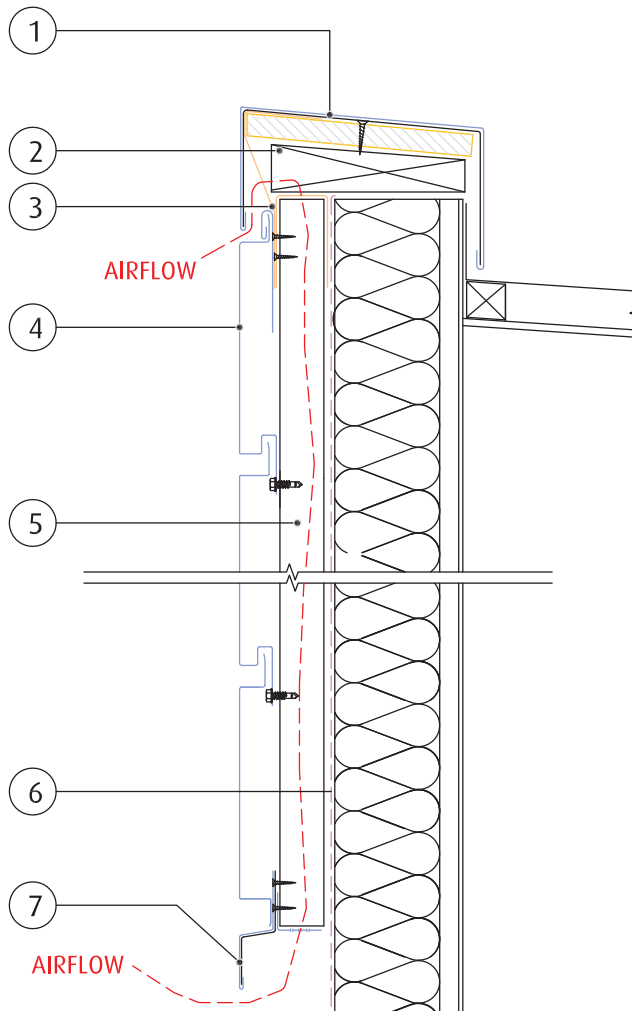
**Wall Junction**

1. VM ZINC Interlocking Panel
2. 20mm ventilation cavity
3. Breathable waterproofing membrane
4. VMZINC securing clip
5. Neutral sealant

# VMZ Interlocking Panel - Vertical

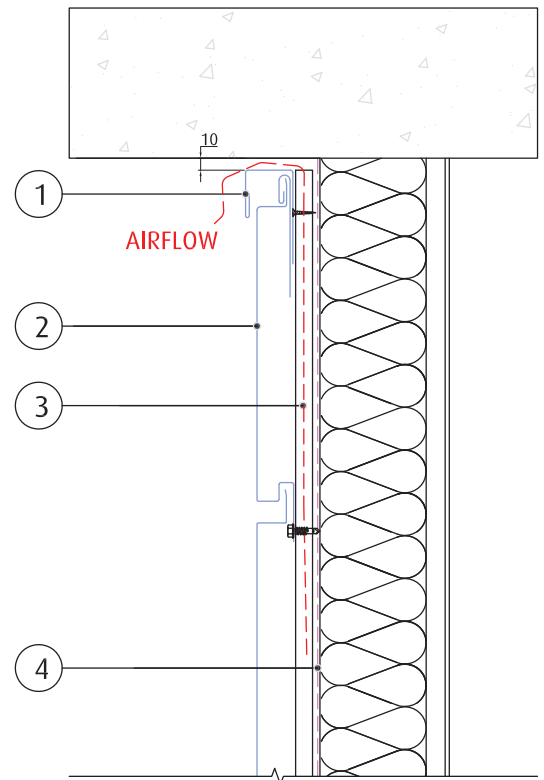


# VMZ Interlocking Panel - Horizontal



## Parapet & Bottom of wall

1. VM ZINC Parapet capping
2. Timber blocking
3. Insect screen
4. VM ZINC Interlocking Panel
5. 20mm ventilation cavity
6. Breathable waterproofing membrane
7. VMZINC Apron flashing over galvanised steel stiffener

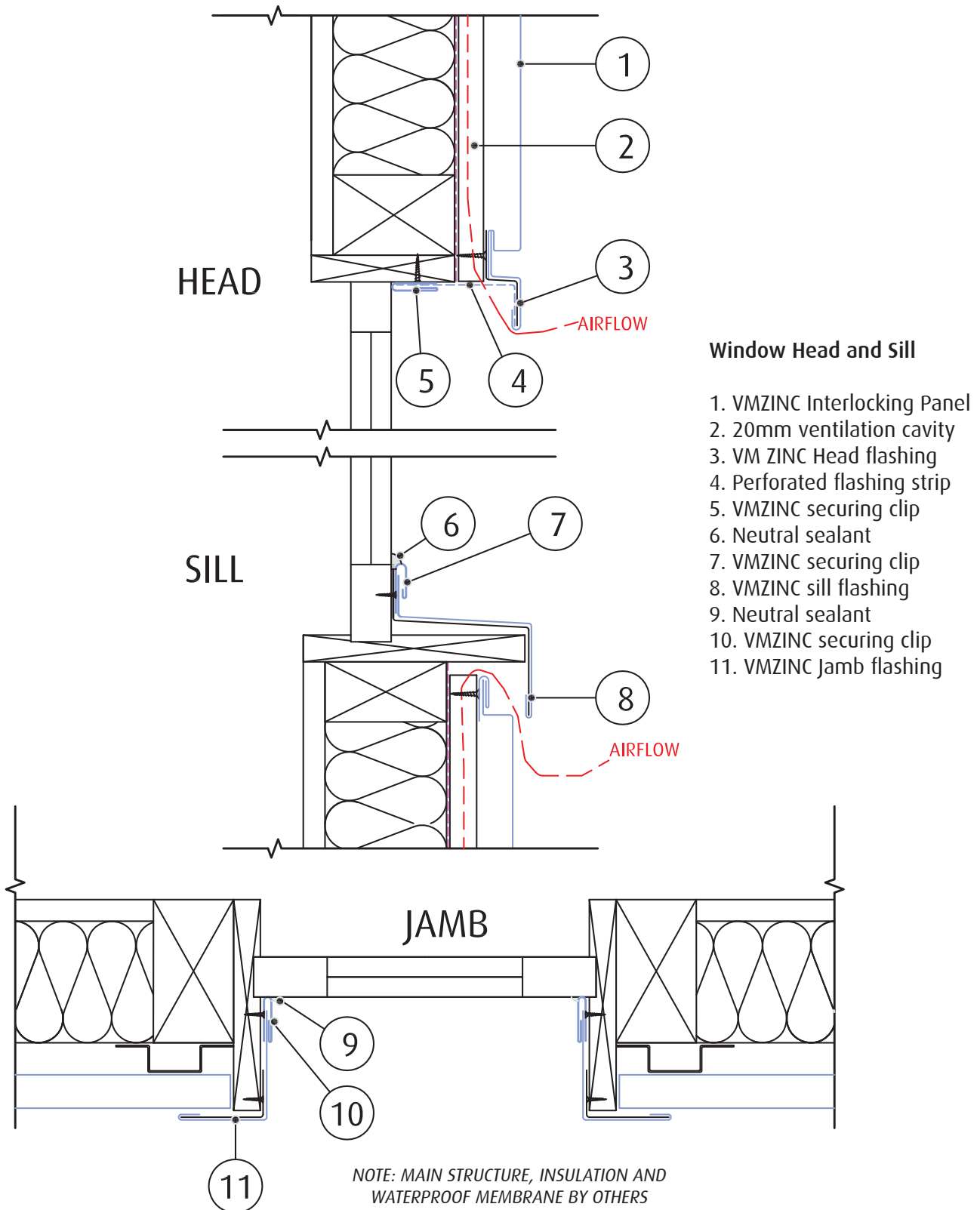


## Top of wall @ soffit

1. VM ZINC Top flashing
2. VMZINC Interlocking Panel
3. 20mm ventilation cavity
4. Breathable waterproofing membrane

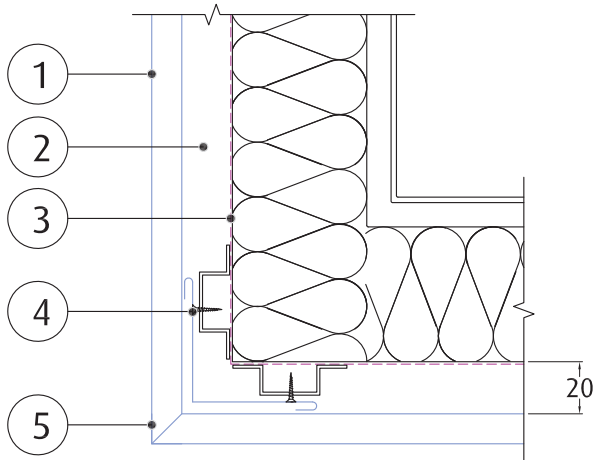
NOTE: MAIN STRUCTURE, INSULATION AND WATERPROOF MEMBRANE BY OTHERS

# VMZ Interlocking Panel - Horizontal



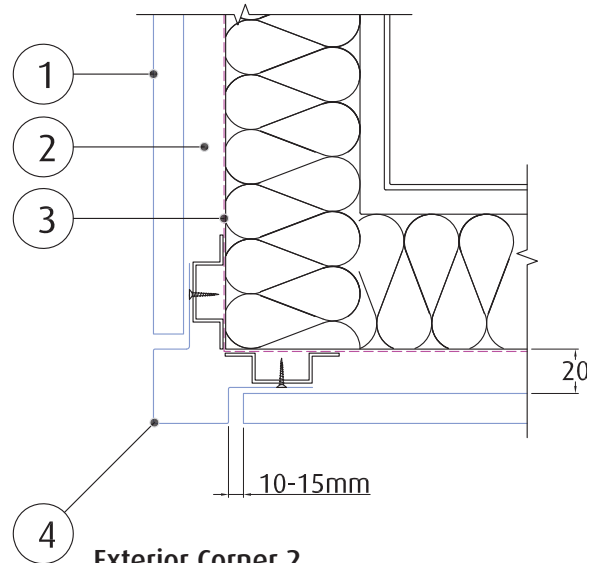


# VMZ Interlocking Panel - Horizontal



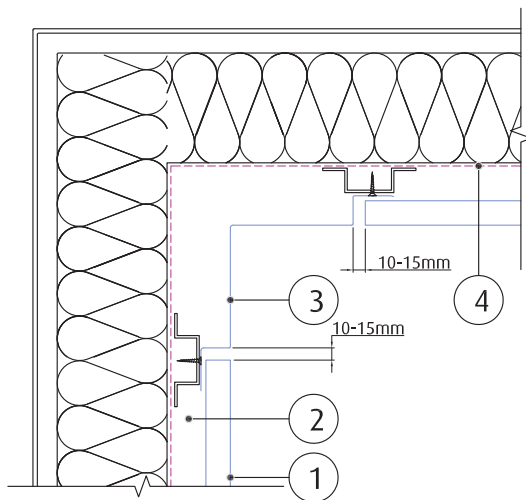
**Exterior Corner 1**

1. VMZINC Interlocking Panel
2. 20mm ventilation cavity
3. Breathable waterproofing membrane
4. Mitred external corner



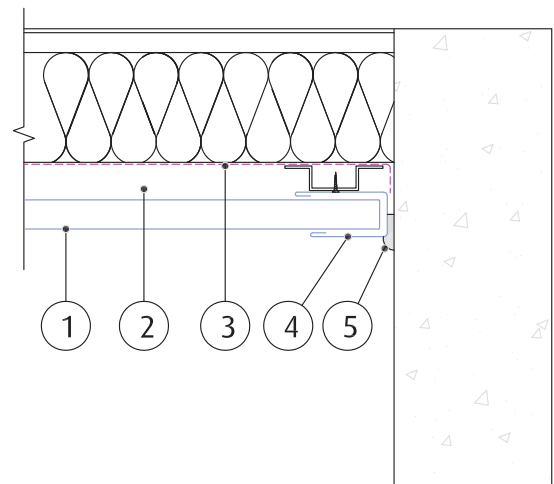
**Exterior Corner 2**

1. VMZINC Interlocking Panel
2. 20mm ventilation cavity
3. Breathable waterproofing membrane
4. VMZINC Exterior corner flashing



**Interior Corner**

1. VMZINC Interlocking Panel
2. 20mm ventilation cavity
3. VMZINC Exterior corner flashing
4. Breathable waterproofing membrane

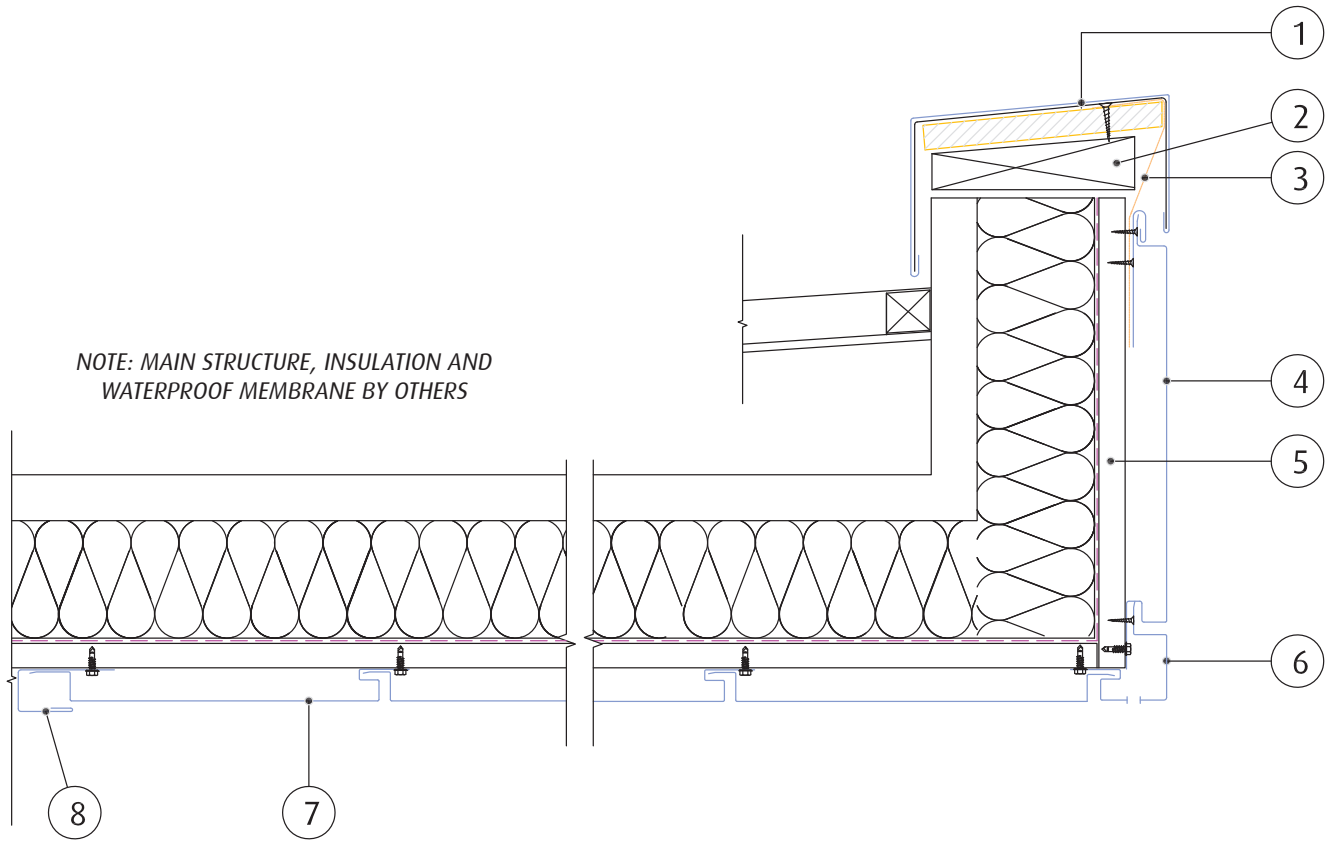


*NOTE: MAIN STRUCTURE, INSULATION AND WATERPROOF MEMBRANE BY OTHERS*

**Wall Junction**

1. VMZINC Interlocking Panel
2. 20mm ventilation cavity
3. Breathable waterproofing membrane
4. VMZINC securing clip
5. Neutral sealant

# VMZ Interlocking Panel - Horizontal



## Soffit Junction

1. VM ZINC parapet capping
2. Timber blocking
3. Insect screen
4. VM ZINC Interlocking Panel
5. 20mm ventilation cavity
6. VMZINC soffit corner flashing
7. VMZINC Interlocking Panel soffit panel
8. VMZINC securing clip



This document is intended for specifiers (building project and architect and design teams) and users (companies responsible for installation on the building site) of the designated product or system.

Its purpose is to provide the main information, text and diagrams, relating to specification and installation (including supporting structures) and flashing installation. Any use of specification outside the area and/or specifications contained in this manual requires specific consultation with the Umicore technical departments. This does not commit the latter to any responsibility with regard to the feasibility of the design or implementation of these projects.

#### **Countries of application**

This document applies exclusively to the specification and installation of the designated products or systems on building sites in Australia and New Zealand.

#### **Qualifications and reference documents**

Please note that the specification of all the construction systems for a given building remains the exclusive responsibility of its design team, who must, in particular, ensure that the specified products are suitable for the purpose of the building and compatible with the other products and techniques used.

Please note that the correct use of this manual requires knowledge of VMZINC materials and of the zinc roofing profession.

While construction is underway all standards in force must be respected.

Furthermore, Umicore offers training courses specifically for professionals.

#### **Responsibility**

The specification and installation of VMZINC products manufactured by Umicore are the sole responsibility of the architects and building professionals who must ensure these products are used in a way suited to the end purpose of the construction and that they are compatible with the other products and techniques used.

The specification and installation of the products implies respecting the standards in force and the manufacturer's recommendations. In this regard, Umicore publishes and regularly updates specifications and installation manuals for specific geographic areas and provides training courses. All the information on the latter can be obtained from the local VMZINC team.

Unless otherwise agreed in writing, Umicore cannot be held responsible for any damages resulting from a specification or installation that does not respect all of Umicore's specifications and the above standards and practices.